



TECElux toilet terminal –
It's all on the inside,
rather than on the outside ...

TECE:
Intelligente Haustechnik

TECE – It's all on the inside, rather than on the outside ...

Content

TECElux – design	Page 4–5
TECElux – electronic "sen-Touch" actuation	Page 6–7
TECElux – "ceramic-Air" air purification system	Page 8–9
TECElux – manual "m-Lift" height adjustment	Page 10–11
TECElux – open for all technologies and almost all ceramics: "smart-Connect"	Page 12–13
TECElux – technology and installation	Page 14–17
TECElux – range	Page 18–20
TECElux – "sen-Touch" programming	Page 21



The toilet terminal TECElux hides the working parts behind the wall. An extremely flat glass facing closes the inspection opening and conceals the cistern, connections for water and power and - depending on the version - an odour extraction or height adjustment for the ceramics.



TECElux – pure aesthetics, adaptable look ...

With its simple aesthetics, TECElux blends in with the architecture of any bathroom. The terminal's large glass surface consists of two parts that give the appearance of a single unit. The glass facing serves as a splash guard for the wall and means the wall does not have to be tiled. The toilet terminal can be combined with practically any ceramics and even with shower toilets.

Let the future come with TECElux – and let it look good: For the first time, functions that were previously only available as individual solutions are combined in one toilet.



"sen-Touch"
The buttons light up when you get closer. The flush is actuated by a slight touch or without contact.



"m-Lift"
The toilet for large and small – the height of the toilet ceramic can be adjusted within an 8 cm range.



"ceramic-Air"
The air is always fresh thanks to "ceramic-Air" with ceramic activated carbon filter.



"smart-Connect"
The toilet terminal can be combined with practically any ceramics and with shower toilet.



DESIGN PLUS



TECElux "sen-Touch" – flush like pure magic



"sen-Touch"

The electronic flush actuation TECElux "sen-Touch":

A sensor detects when a person is approaching the toilet, and only illuminates the flush buttons then. A slight touch with the finger is all that is needed to actuate the flush. Within a range of 10 mm the flush can even be actuated without any contact at all. The electronic flush actuation is illuminated with energy-saving LEDs.

Mechanical actuation:

With the mechanical actuation option, the flush is actuated by buttons. It is available in white and bright chrome.

TECElux "ceramic-Air" puts an end to bad odours



"ceramic-Air"

An end to bad odours in the bathroom and toilet: The air purification system "ceramic-Air" works with a new kind of ceramic activated carbon filter.

Odours are drawn away at the source and cleaned air is passed back into the room. There is no need for any extra fresh air which would first have to be warmed. The air purification system starts when a person approaches and stops automatically after a short run-on time, which avoids unnecessary power consumption. The ceramic activated carbon filter has a long life and only has to be replaced after around five years.



TECElux "m-Lift" – the toilet for large and small



"m-Lift"

TECElux enables you to adjust the height of the toilet ceramics at any time, even after the module has been installed. The ceramics do not have to be removed.

The height of the ceramics can be continuously adjusted in an 8 centimetre range with an adjusting spindle. The glass front moves with the ceramics, so the overall appearance is not marred by joints or gaps.



Additional functions on the toilet require space, and frequently also a power or extra water connection. Up until now, the elements were simply added on to the ceramics and the water and power lines installed visibly next to the toilet. These makeshift solutions are now a thing of the past. The new toilet terminal takes equal account of aesthetic and functional factors: TECElux integrates the system components in the pre-wall module invisibly and safely. The large inspection opening is covered by a flat glass facing that permits quick access to the components behind it at any time.

TECElux "smart-Connect" – open for all technologies and many ceramics ...



"smart-Connect"



Round toilet ceramics



Rectangular toilet ceramics



Rim-free toilet ceramics



Shower toilet



Shower toilet seat

TECElux can be combined with practically any ceramics and with shower toilets. Water and power connections are concealed behind the wall.

The toilet terminal is based on the TECE universal cistern, which has been tried and tested a hundred thousand times, and is available in three different versions (see page 20). All modules consist of the same self-supporting, stable mounting frame and the TECE dual flush cistern.



TECElux Features:

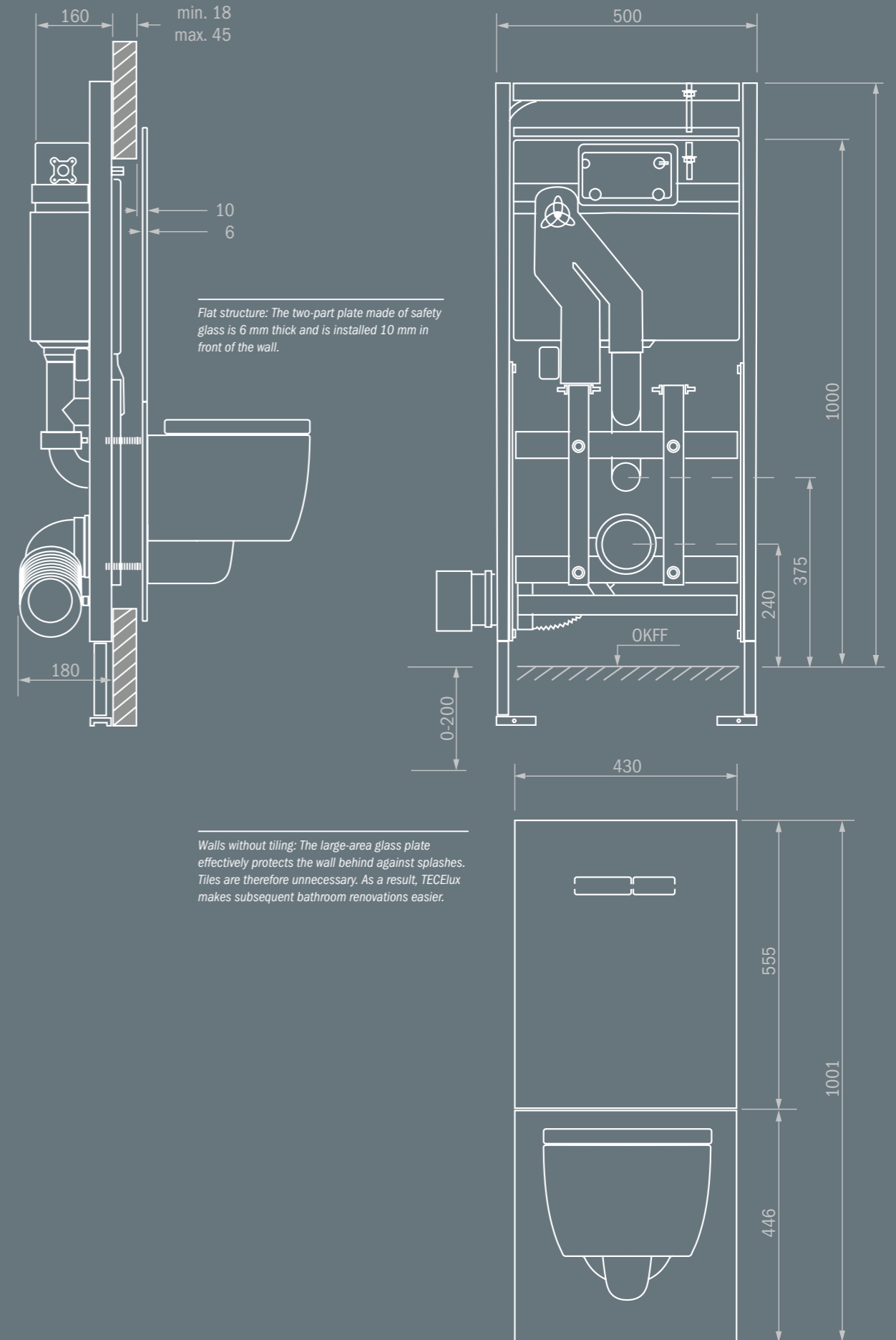
- (1) Flexible water connection (concealed)
- (2) Electronic dual flush actuation
- (3) Height adjustment via adjusting screw
- (4) Air purification system "ceramic-Air"
- (5) Exit opening for cleaned air, activated carbon filter
- (6) Power connection, sockets



Like every other TECEprofil module, TECElux can be installed in different ways:

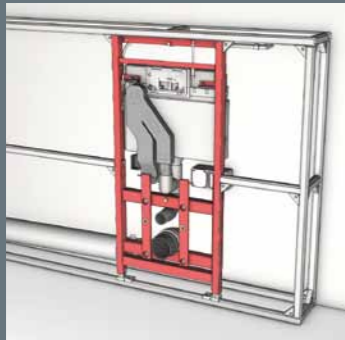


TECElux – technology and assembly



Despite the functional variety of the TECElux module, assembly can be carried out in just a few simple work steps. Thanks to the sophisticated TECE pre-wall system, a technology that has been tried and tested over many years could be used in the design of TECElux.

The system components remain behind the wall – but are easily accessible via the removable upper glass facing and large inspection opening. This makes assembly and maintenance much easier.



Installation of the module, e.g. in a TECEprofil pre-wall. Water, waste water and power are then connected.



The bare-wall protection system is installed before panelling.



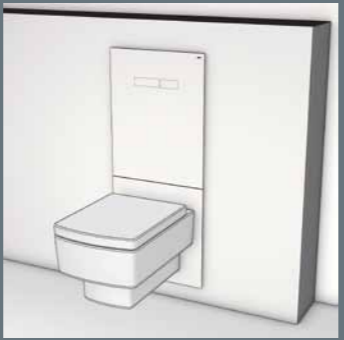
The pre-wall is covered with TECEprofil panels. The space for the module is cut out and tiled.



After removal of the bare-wall protection, the support for the lower glass facing is adapted to the wall thickness. The depth is adjusted by means of two adjusting nuts in the frame.



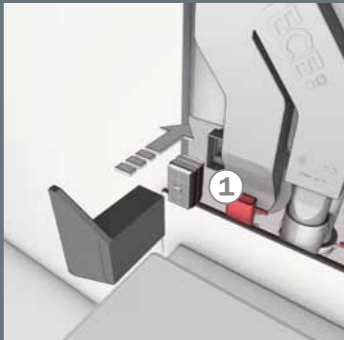
After the retaining bolts have been attached, the lower glass facing is mounted and the ceramic installed.



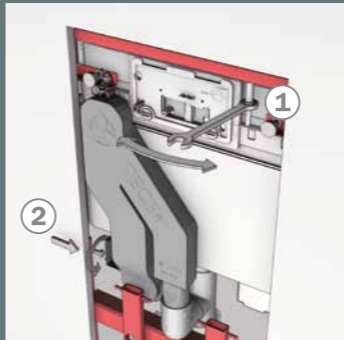
When the upper glass facing has been installed, assembly is complete.



The upper glass facing is held in place by two magnets and can therefore be opened with ease at any time.



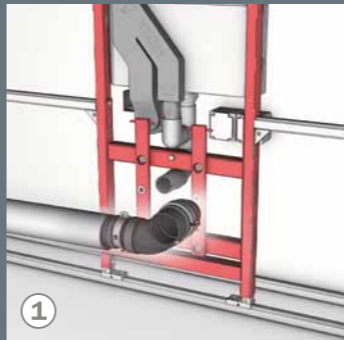
In the case of modules with the "ceramic-Air" system, the activated carbon filter (1) should be replaced approximately every five years. It is easily accessible in the exit opening of the odour trap.



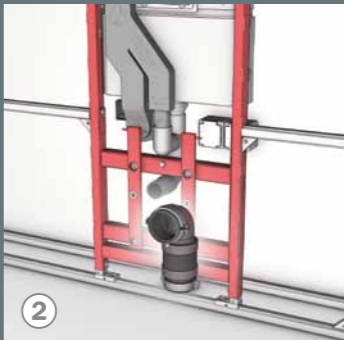
In the case of modules with the "m-Lift" height adjustment, the height is adjusted by means of an easily accessible adjusting screw (1). The side retainers must first be removed (2).



TECElux is suitable for all toilet ceramics with a bolt distance of 180 mm.



In the case of modules with "m-Lift", a flexible drain bend is included with the delivery. It can be installed both horizontally (1) ...



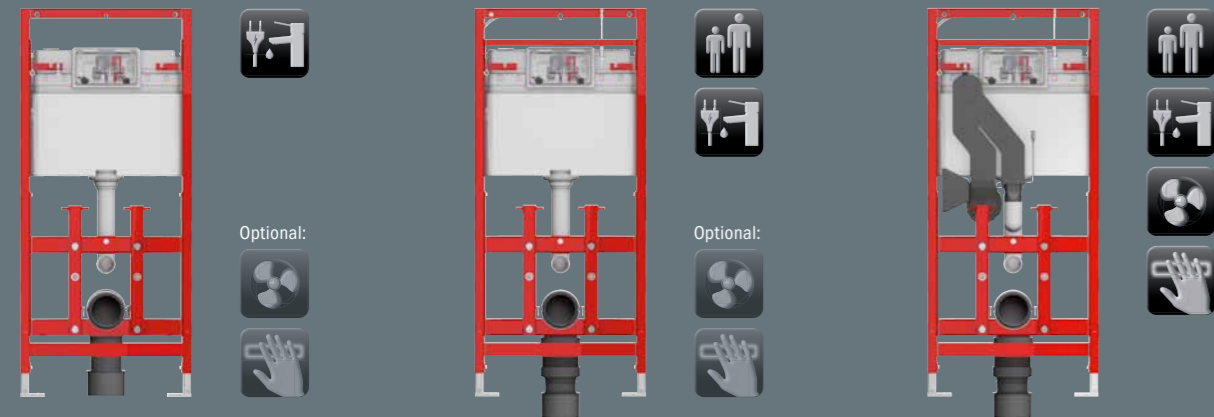
... and vertically (2).



It is even possible to install a shower toilet. The required connections for power and water are concealed behind the wall.

A TECElux module

The TECElux module leaves all options open: Three different versions of the module are available.



Module TECElux 100

With TECE concealed cistern and dual flush technology. The flush is actuated either mechanically using buttons or electronically using "sen-Touch". The module can be optionally fitted with the "ceramic-Air" air purification system (only in conjunction with the "sen-Touch" upper glass facing).

Module TECElux 200

With TECE concealed cistern, dual flush technology and manual height adjustment. The flush is actuated mechanically by buttons or electronically via "sen-Touch". The module can be optionally fitted with the "ceramic-Air" air purification system (only in conjunction with the "sen-Touch" top glass plate).

Module TECElux 400

With TECE concealed cistern, dual flush technology, manual height adjustment and "ceramic-Air" air purification system. The flush is actuated only electronically ("sen-Touch").

B Push plate

Available with mechanical flush actuation via buttons or electronic "sen-Touch" actuation.



Push plate with electronic "sen-Touch" actuation

The sensor area lights up when you get closer. The flush is actuated by a slight touch or without contact.

Push plate with buttons

The dual flush is actuated mechanically and is intuitive (large button for large flush volume, small button for small flush volume).

C Toilet mounting plate

Can be combined with practically any ceramics, including rim-free ceramics and shower toilets. Water and power connections are concealed behind the wall.



Round toilet ceramics

Rectangular toilet ceramics

Rim-free toilet ceramics

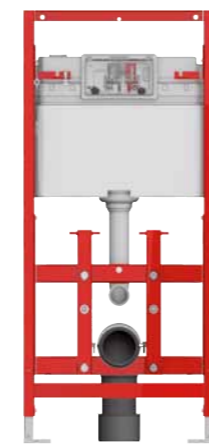
Shower toilet

Shower toilet seat

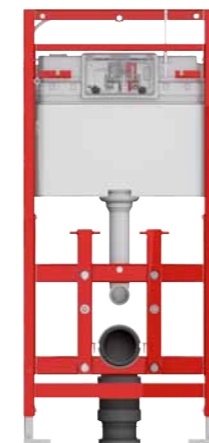
How to order:

A TECElux terminal always consists of: **(A)** a TECElux module, **(B)** an upper glass facing and **(C)** a lower glass facing with notches for different power and water connections.

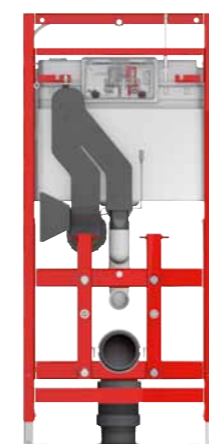
A TECElux module



TECElux 100
Order no. 9 600 100



TECElux 200
Order no. 9 600 200



TECElux 400
Order no. 9 600 400

B Upper glass facing white



„sen-Touch“ (electronic)
order no. 9 650 002

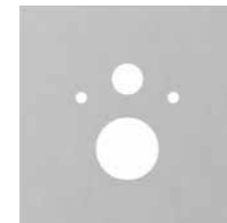


White buttons (mechanical)
order no. 9 650 000

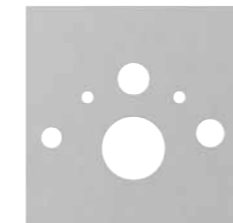


Bright chrome buttons (mechanical)
order no. 9 650 001

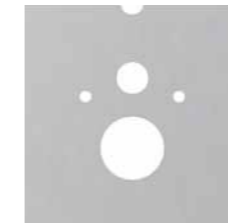
C Lower glass facing white



Standard toilet
Order no. 9 650 100



Shower toilet
Order no. 9 650 101
Order no. 9 650 103



Shower toilet set
Order no. 9 650 102

B Upper glass facing black



„sen-Touch“ (electronic)
Order no. 9 650 003



Black buttons (mechanical)
Order no. 9 650 005

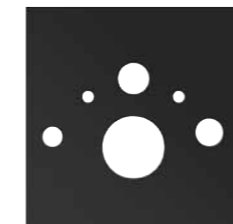


Bright chrome buttons (mechanical)
Order no. 9 650 004

C Lower glass facing black



Standard toilet
Order no. 9 650 105



Shower toilet
Order no. 9 650 106



Shower toilet set
Order no. 9 650 107
Order no. 9 650 108



TECElux toilet terminal white



TECElux toilet terminal black

C Overview of lower facing and accessories for toilets and shower toilets

	Standardkeramiken (180 mm connection dimensions)	TOTO Washlet Neorest AC **	TOTO Washlet Neorest EW **	TOTO Washlet EK	TOTO Washlet GL	TOTO Washlet SG	TOTO Washlet Giovannoni	Duravit D-Code	Duravit Sensowash C	Villeroy & Boch Viclean U	Geberit AquaClean 8000	Geberit AquaClean 8000 plus	Geberit AquaClean 6000	Geberit AquaClean 6000 plus	Geberit AquaClean Sela
	X														
		X	X	X	X	X	X	X		X					
		X	X								X	X			
				X	X	X	X	X		X					
									X						
															X

** If the „sen-Touch“ upper facing is used, the remote actuation of the TOTO Neorest does not function.
(w) = glass white,
(s) = glass black

TECElux "sen-Touch" programming



Sensor recognition range

The electronic device installed behind the glass facing switches on the illumination when a person approaches and activates TECElux. To avoid this happening by accident in small bathrooms, the recognition range can be reduced.

Recognition range

Small
Normal



Illumination brightness of the display

The brightness of the display can be individually set. For setting "bright", the display can also be used to aid orientation in the dark.

Brightness levels

Bright
Standard
Dimmed
Darker



Hygienic flushing

The hygiene flushing function is actuated automatically if a user-actuated flush has not taken place within a defined time interval. Here, the water in connection line to the system is renewed. The hygiene flush can be set to different intervals according to user requirements.

Intervals

Off
Once per day
3 times per week
Twice per week
Once per week
Once in 2 weeks
Once in 4 weeks



Safety flush

A toilet not flushed thoroughly after use is unpleasant for the next user. Unpleasant surprises like this cannot be ruled out, particularly in public buildings, but the safety flush can help avoid them. Function "on": If a second flush is not carried out within 2 minutes after the last person recognition, an automatic flush is carried out. This function is only suitable for public toilets with a cubicle.

Function

Off
On



Subsequent odour extraction

Odour extraction is activated when someone approaches the detection range, and remains activated the whole time the user is there. When the person leaves the detection range, the follow-up time is activated

Follow-up time

1 min.
2 min.
5 min.



Volume and intensity of odour extraction

The suction power and thus noise volume of the fan can be programmed. The standard setting offers low fan noise with good suction power.

Volume

Quiet
Standard
Power



Cleaning function

To prevent the flush from being actuated during cleaning of the sensor button, you can activate the cleaning function. The buttons are then deactivated for 30 seconds. After this period of time, their normal function is activated again. The cleaning function can be activated independently of the program mode by simultaneously pressing both buttons for 10 seconds.

Function

Off
On

Factory setting =

TECElux "sen-Touch" – programmed comfort



The programming options of the "sen-Touch" electronics enable the advanced version of TECElux to be adapted to individual needs and a range of requirements. Input is possible in the first hour after connection to the power supply using the touch panel and can be carried out easily following the operating instructions.



For more about TECElux visit www.tece.com

TECE GmbH
International Business
Phone +49 (0) 25 72 / 928 999
international-business@tece.de
www.tece.com

TECE:
Intelligente Haustechnik