

TECE data sheet

Status as of 12.08.2018



TECEdrainline drain "vertical", DN 50

Article number: 650003

DU 1: 1 pc.

Description:

Vertical drain for the TECEdrainline shower channel to fit to the channel body, drain can be rotated 360°, for vertical connection to DN 50 drain pipe, with removable siphon immersion pipe

- Minimum installation height from upper edge of channel to lower edge of stirrup = 67 mm
- Sealing water height = 50 mm, to DIN EN 1253
- Core hole required = 130 mm

Drainage capacity to DIN EN 1253, with 10/20 mm build-up above grate:

- Design grate "basic": 1.3/1.3 l/s
- Design grate "steel II": 1.3/1.3 l/s
- Tileable channel "plate"/"plate II": 1.2/1.2 l/s

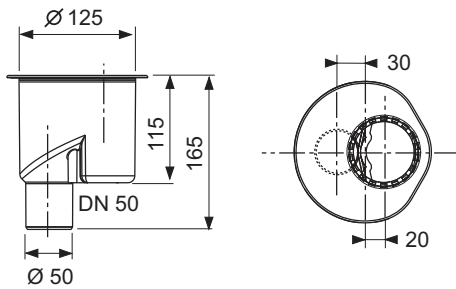
Sales data:

Shorttext 1:	TECEdrainline drain "vertical"
Shorttext 2:	DN 50, drainage capacity 1.3 l/s
Commodity group:	600
Product group:	3006000080
Discount group:	2

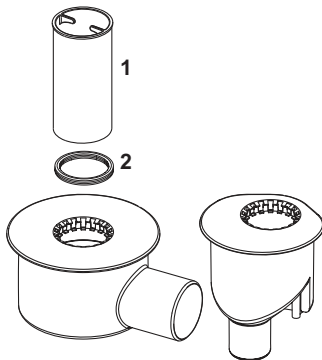
TECE data sheet

Status as of 12.08.2018

Dimensional drawings:



Spare parts:



- | | | |
|---|--------|--|
| 1 | 668019 | Immersion pipe (H = 94 mm) for outlet max and vertical |
| 2 | 668032 | Seal between channel and drain with grip claw, from 2015 |