



TECEnow toilet flush plate for dual-flush system

Article number: 9240407

Colour: Black matte

Exhibition samples: Yes

DU 1: 1 pc.

DU 2: 10 pc.

Description:

Flush plate for TECE cisterns, for front or top actuation. Very flat plastic flush plate, buttons with rubber inlays on both sides. Incl. actuating rods and mounting material. Suitable for flush-mounted installation in combination with toilet installation frame and spacing frame. Compatible with insert chute for cleaning tablets.

Dimensions (W x H x D): 220 x 150 x 5 mm

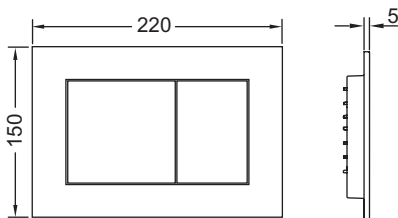
Sales data:

Product name: TECEnow toilet flush plate black matte

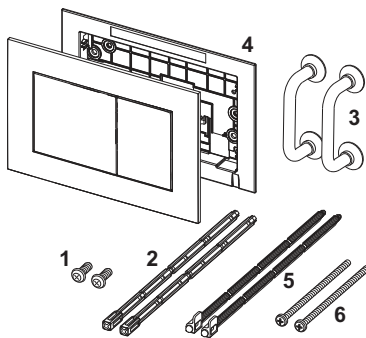
Commodity group: 904

Product group: 2009040240

Dimensional drawings:



Spare parts:



1	9820263	Fastening screws
2	9820022	Actuation rods
3	9820180	Bow-type handles
4	9820346	Support frame
5	9820498	"Easy fit" actuation rods
6	9820497	"Easy fit" attachment screws