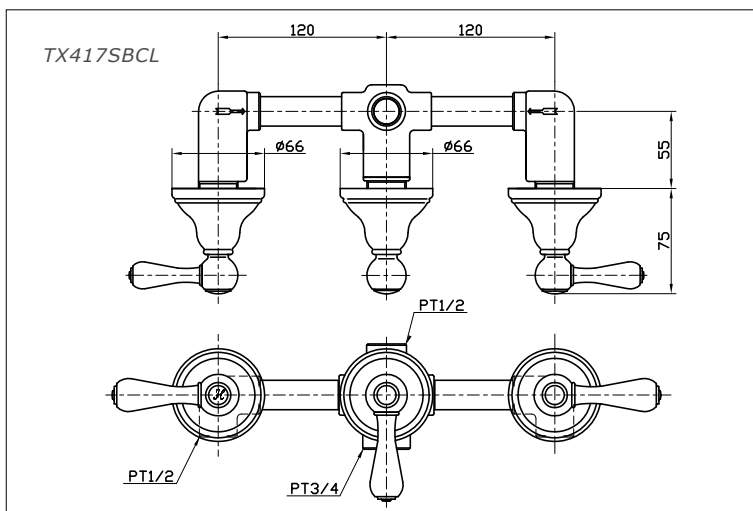
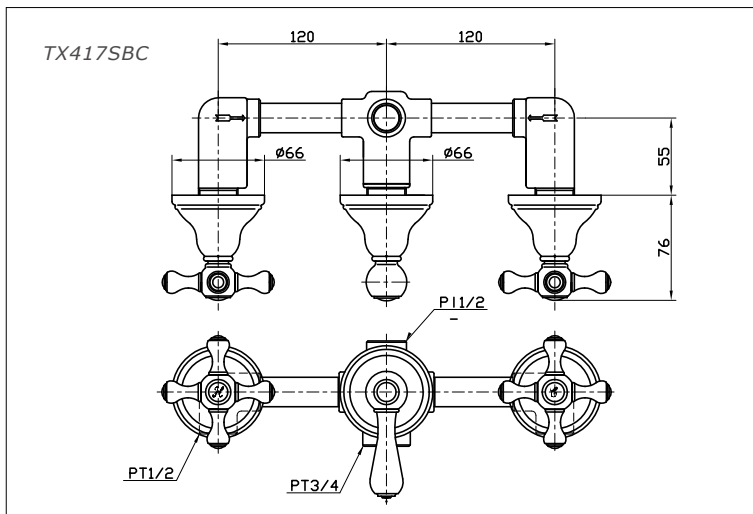


Curio Mixing Valve for Bath & Shower

TX417SBC
TX417SBCGC
TX417SBCL
TX417SBCLGC



TX417SBC



Features

- Durable finishes
- Brass valve bodies
- Ceramic disk valve cartridge for drip-free performance

Specifications

Water Pressure : 0.05MPa~0.75MPa
 Finish : Nickel Chrome

Parts description

- **TX417SBC**
 Mixing Valve for Bath & Shower w/ Diverter (Cross Handles)
- **TX417SBCGC**
 Mixing Valve for Bath & Shower w/ Diverter (Cross Handles, Gold & Chrome combination)
- **TX417SBCL**
 Mixing Valve for Bath & Shower w/ Diverter (Lever Handles)
- **TX417SBCLGC**
 Mixing Valve for Bath & Shower w/ Diverter (Lever Handles, Gold & Chrome combination)