

WALL HUNG TOILET (Combination)



Features

- TORNADO FLUSH for powerful flushing effect with less amount of water
- CEFIONTECT Technology: super smooth, ion barrier glazing for a clean toilet bowl
- Sleek skirted design with concealed trapway for easy cleaning
- WATER SAVING structure
- RIMLESS DESIGN bowl ensures easy cleaning and ultimate hygiene
- Fully equipped with comfortable rear, front, and oscillating cleansing functions
- Adjustable warm air dryer
- Auto powerful DEODORIZER activates after every usage
- Convenient slim wireless remote, with illuminated touch pad
- Heated seat with temperature control
- Premist water is sprayed inside the toilet bowl to make it difficult for dirt to adhere
- Energy-saving function
- Easy remove for cleaning

Specifications

CW812RA:	
Flush system:	TORNADO FLUSH (Wash Down)
Water Use:	4.0L / 3.0L
Rough-in:	H=220 mm
Bowl Shape:	Elongated
Water Pressure:	0.05MPa~0.75MPa
Size:	380W x 595D x 335H mm (Toilet Bowl)
TCF6531SP:	
Power Rating:	220~240V , 50/60Hz , 264~309W
Length of Power Cord:	5.0 m
Size:	390W x 531D x 188H mm (WASHLET)

Parts description

- **CW812RA**
Elongated Wall Hung Closet Bowl (P-Trap) (Rough-in 220)
- **TCF6531SP**
WASHLET

Optional Parts

- WH173SG
Concealed Cistern w/Frame
- MB174P
Flush Panel

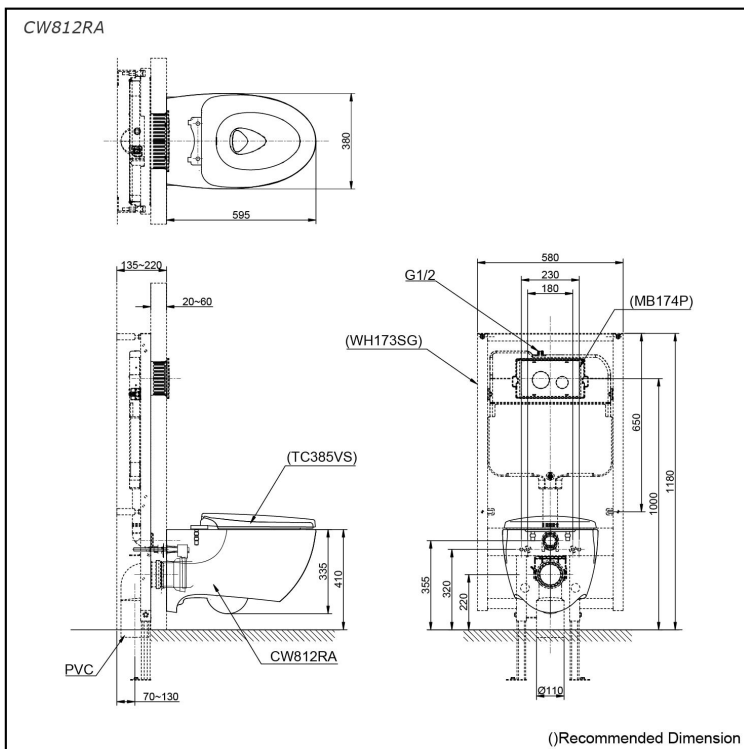
NOTE

- **DO NOT COUPLE THIS WC WITH FLUSH VALVE**

Colors

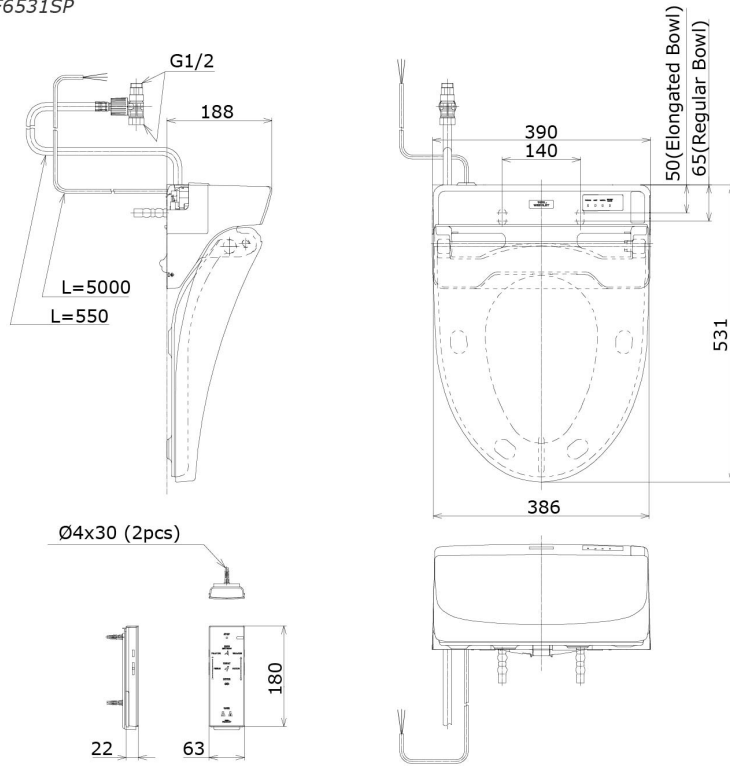
CW812RA
White

TCF6531SP
White



TCF6531SP

TCF6531SP



()Recommended Dimension