

## TECE data sheet

Status as of 20.02.2018



### TECE drainprofile shower profile

Article number: 670800

L: 800 mm

Width: 55 mm

Surface: brushed

DU 1: 1 pc.

#### Description:

Shower profile for shower drainage, for installation in tile adhesive above the screed and seal.

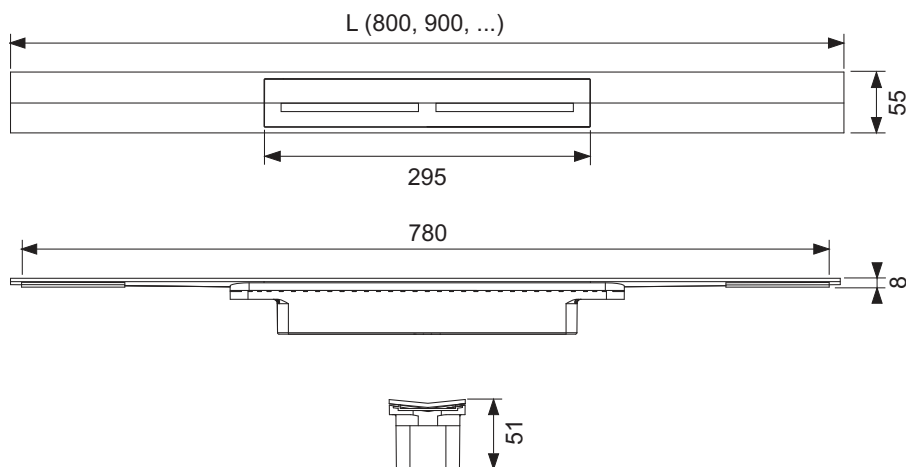
Consisting of:

- Shower profile that can be cut to length made of stainless steel, with internal incline for improved water drainage and self-cleaning effect, material 1.4301 (304)
- Profile cover made of stainless steel, with "Push Function" for removal by hand, material 1.4301 (304)
- Connection trims for connection with the TECE drainprofile drain
- Grip elements for easy installation and solid connection with the tile adhesive
- For floors from 8-25 mm (incl. adhesive bed)
- For flush to the wall installation for wall coverings from 10 mm (incl. adhesive bed)
- For installation at the wall (flush to the wall) or at any specific distance from the wall

#### Sales data:

Shorttext 1: TECE drainprofile shower profile, 800 mm,  
Shorttext 2: brushed stainless steel  
Commodity group: 608  
Product group: 3006080010  
Discount group: 2

#### Dimensional drawings:

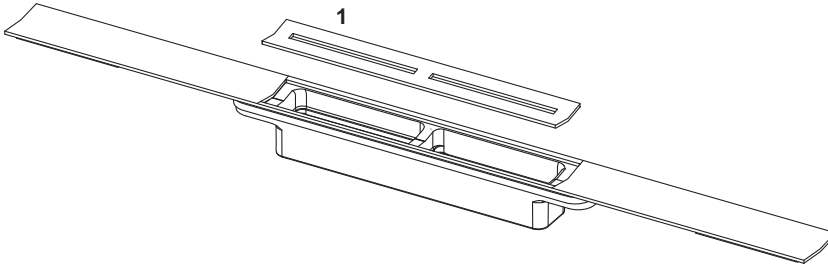


# TECE data sheet

Status as of 20.02.2018

---

## Spare parts:



- |   |        |   |
|---|--------|---|
| 1 | 675000 | Profiled cover in stainless steel, brushed  |
|   | 675001 | Profiled cover in stainless steel, polished |