

DSP72N(chromium)  
DSP72N#PG(gold)  
DSP72N#HN(brushed nickel)

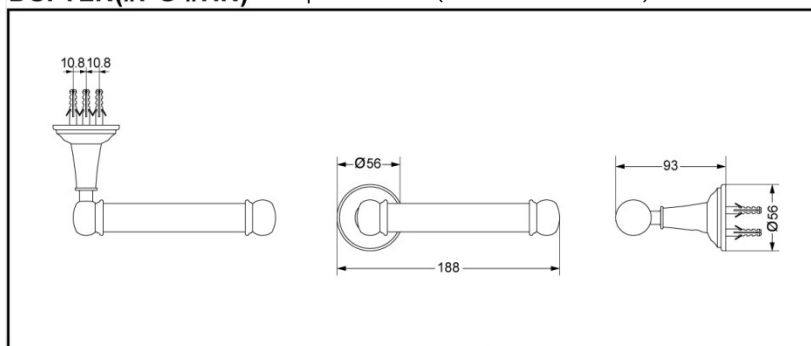


DSP72N  
DSP72N#PG  
DSP72N#HN

### FEATURES

- Elegant appearance.
- East to install and use.
- High price performance.

### DSP72N(#PG #HN) Paper Holder (GUINEVERE series)



\*TOTO(CHINA) CO.,LTD. All rights reserved.

### SPECIFICS

Size: 188\*93\*56mm

### OTHERS

Series: GUINEVERE series