

TBW02005B

TBW02005B



Comfort  
Wave

### FEATURES

- Elegant appearance.
- Beautiful curves reveal elegant taste.
- Easy installation and usage.

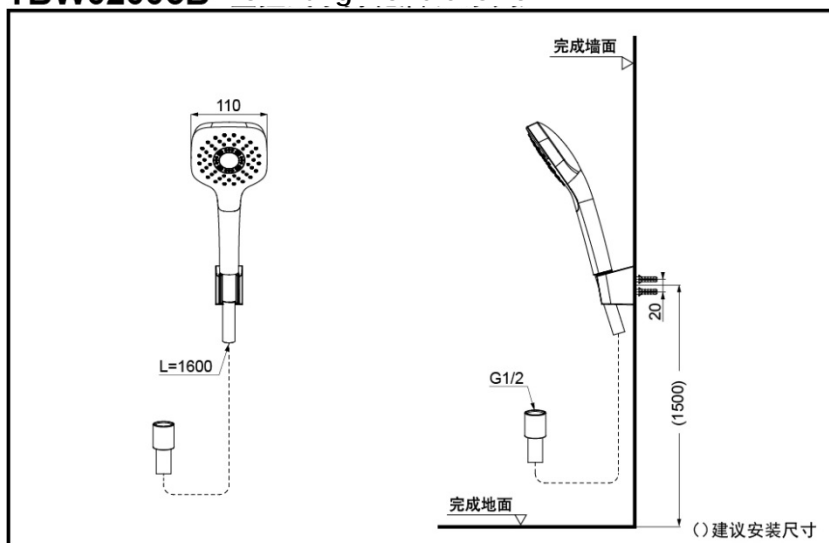
### SPECIFICS

Size: 110X110mm

Water Inlet Requirement :  
0.05MPa (Dynamic  
Pressure) ~ 0.75MPa (Static  
Pressure)

Water Efficiency : Grade 2

### TBW02005B Wall-Hung Hand Shower



\*TOTO(CHINA) CO.,LTD. All rights reserved.

### Others

Series : G

Recommend fittings :  
G series Shower