

Auto Faucet



Features

- Hands-free usage increases hygiene
- Self-generated power saves electricity
- Water saving
- TOTO aerated bubble technology adds air to the water to achieve full water jet

Specifications

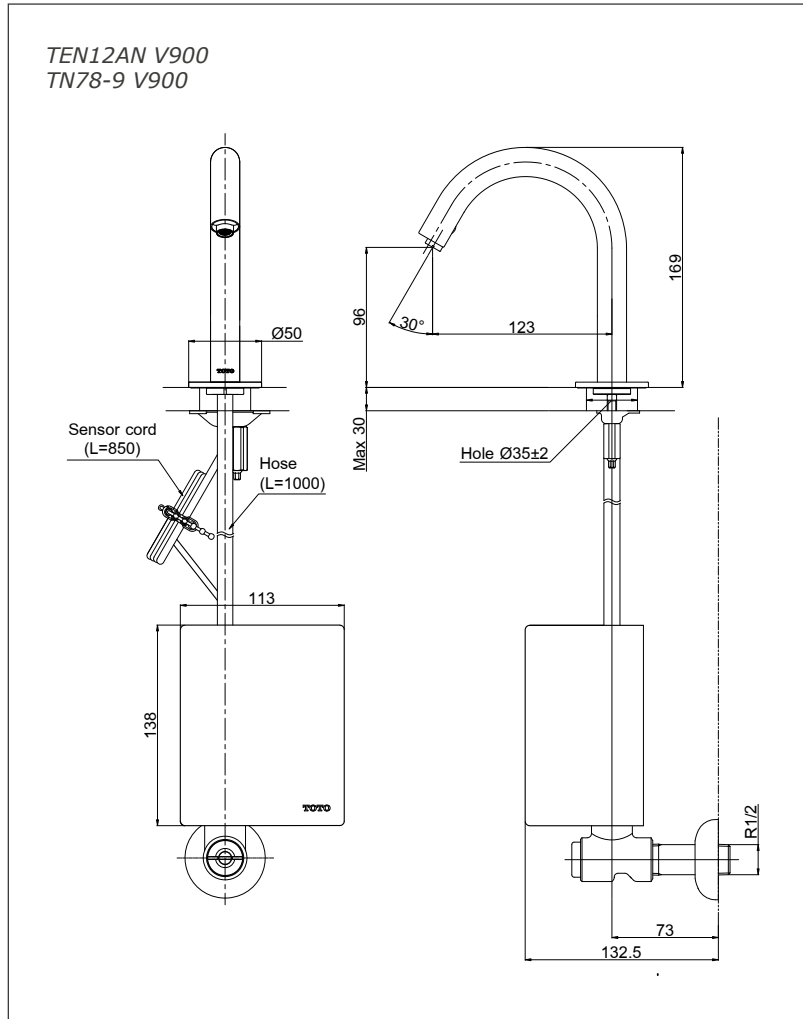
Water Pressure : 0.05MPa~0.75MPa

Water Usage : 2.4L/min

Finish : Nickel Chrome

Parts Description

- **TEN12AN V900**
Auto Faucet (Spout Only)
(Cold Water Only)
- **TN78-9 V900**
Self-Powered Controller



TEN12AN V900 TN78-9 V900

Auto Faucet

Flow Rate *TEN12AN V900 + TN78-9 V900*

